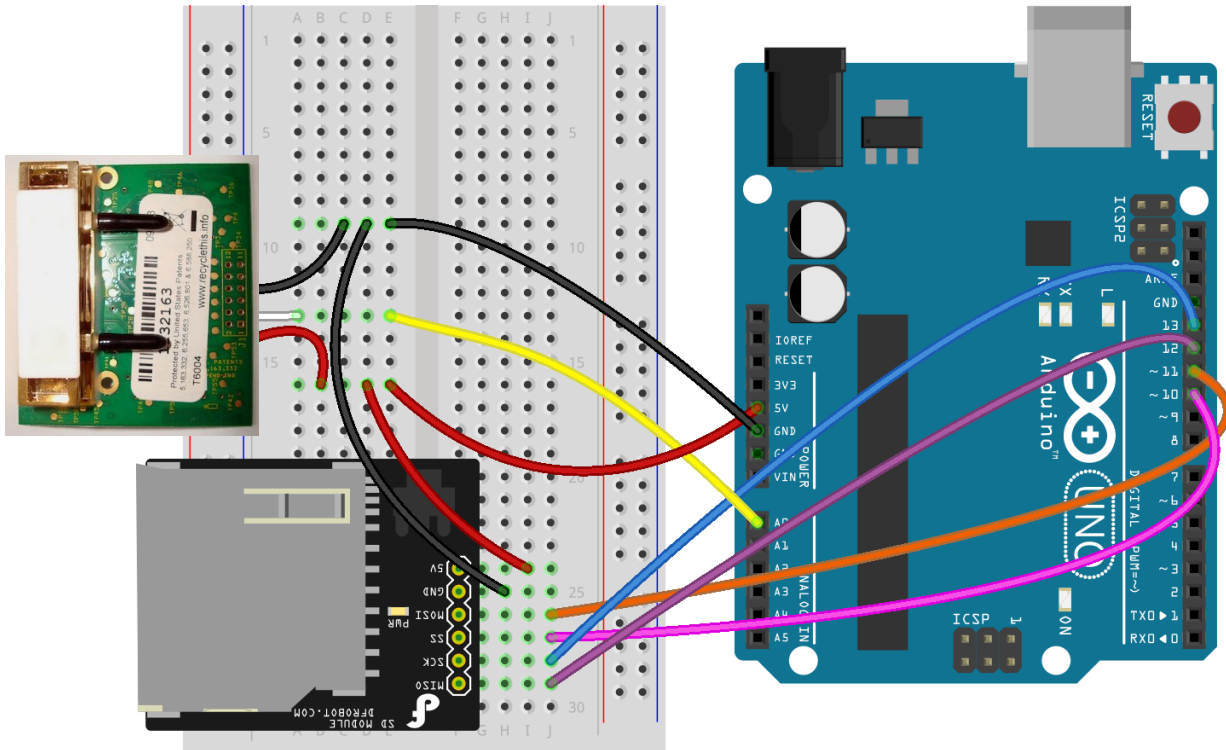


PSC 103 - Spring 2018 - Arduino Weather Station Lab

CO₂: Wiring with SD card



fritzing

(See next page for code.) →

CO₂: Code

```
#include <SD.h>

void setup()
{
  Serial.begin(9600);
  pinMode(10, OUTPUT);
  SD.begin(10);
  SD.remove("data.csv");
}

void loop()
{
  float x, co2;
  File out;
  unsigned long t;

  x = analogRead(A0) * 5.0 / 1024;
  co2 = x * 2000.0 / 4.0;
  Serial.println(co2);
  delay(1000);

  t = millis();
  out = SD.open("data.csv", FILE_WRITE);
  out.print(t);
  out.print(",");
  out.println(co2);
  out.close();
}
```
