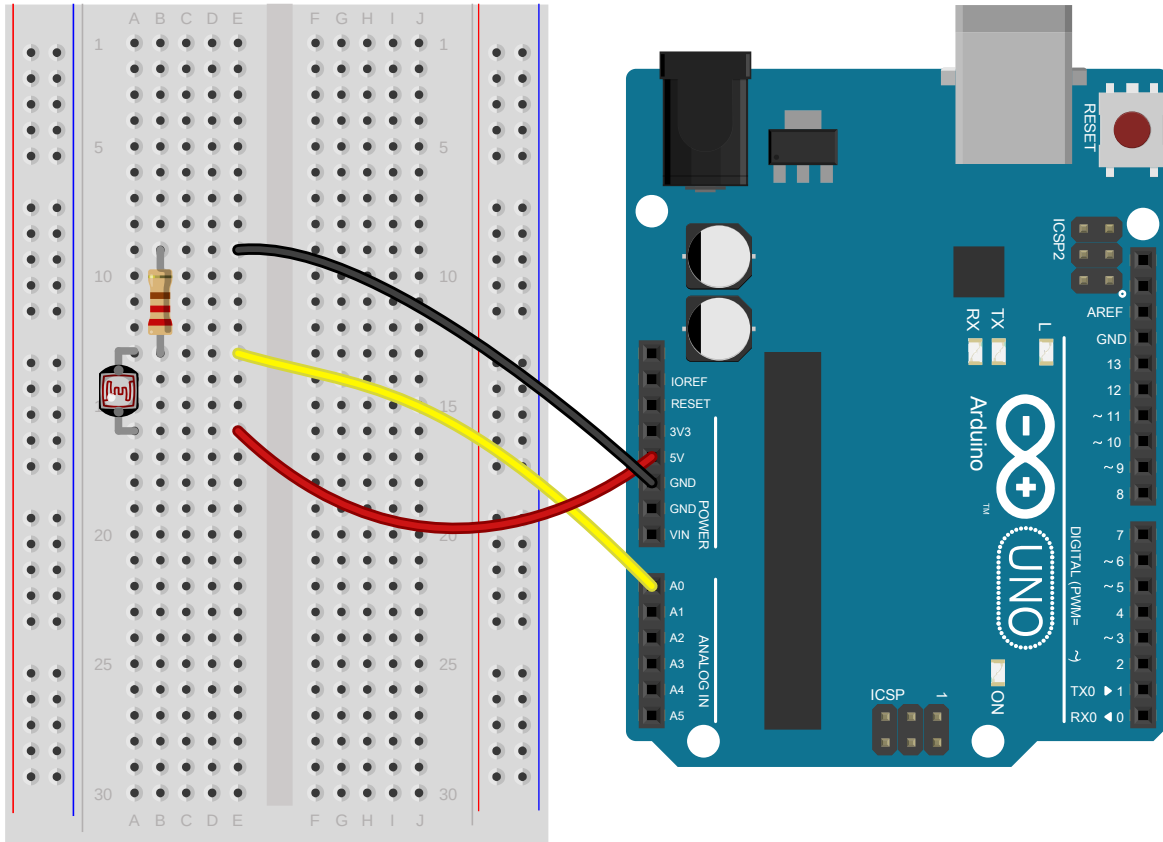


# PSC 103 - Spring 2018 - Arduino Weather Station Lab

## Light: Wiring



## Light: Code

```
void setup()
{
  Serial.begin(9600);
}

void loop()
{
  float L;

  L = analogRead(A0) * 5.0 / 1024;
  Serial.println(L);
  delay(1000);
}
```