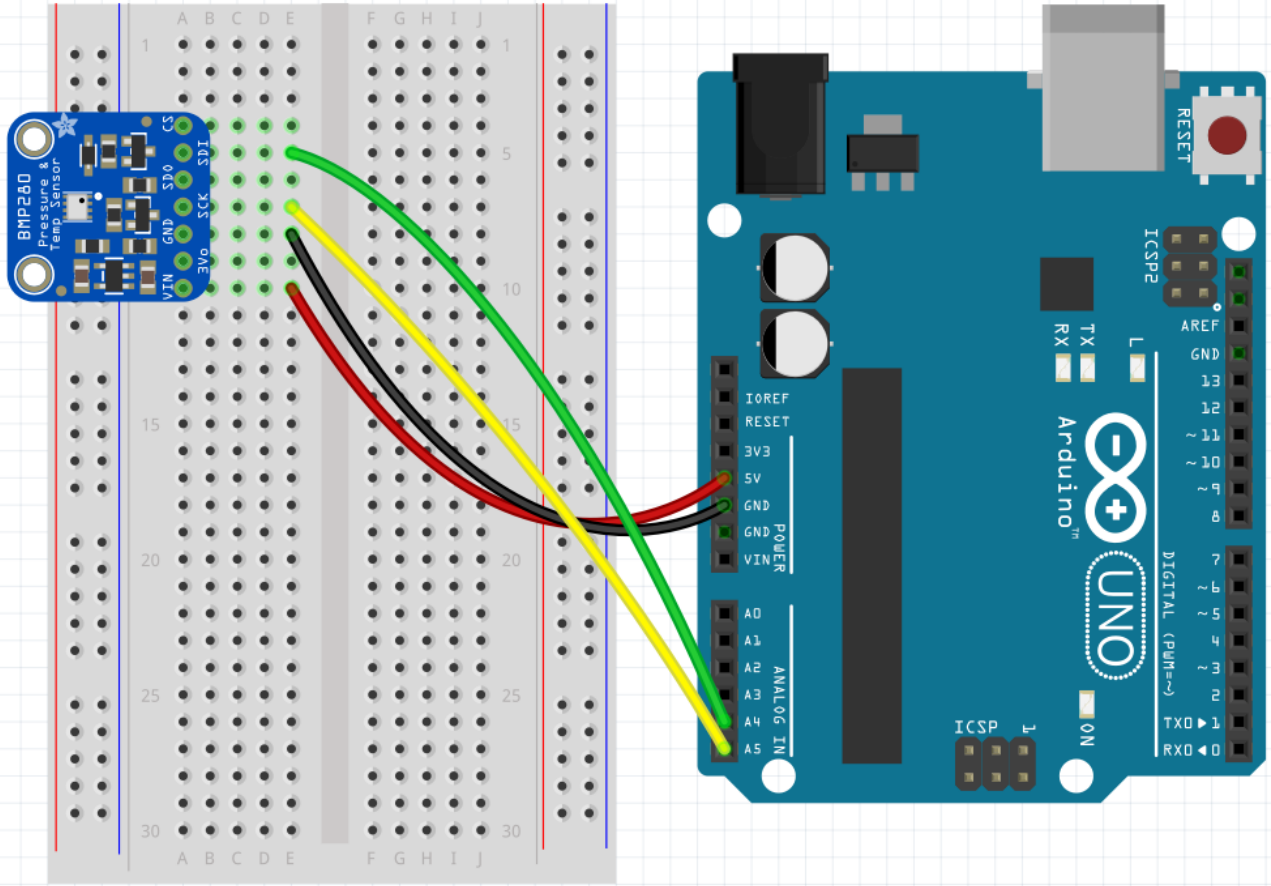


PSC 103 - Spring 2018 - Arduino Weather Station Lab

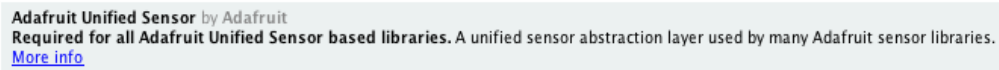
Pressure: Wiring



Pressure: Code

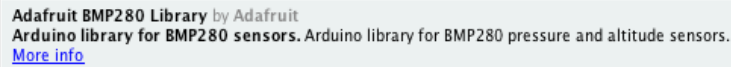
Note: Before coding, do:

1) Sketch->Include Library->Manage Libraries, the Search for and install: [Adafruit Unified Sensor](#) (it will be all the way at the bottom and should look like this):



Adafruit Unified Sensor by Adafruit
Required for all Adafruit Unified Sensor based libraries. A unified sensor abstraction layer used by many Adafruit sensor libraries.
[More info](#)

2) Sketch->Include Library->Manage Libraries, the Search for and install: BMP280. It should look like this:



Adafruit BMP280 Library by Adafruit
Arduino library for BMP280 sensors. Arduino library for BMP280 pressure and altitude sensors.
[More info](#)

```
#include <Wire.h>
#include <SPI.h>
#include <Adafruit_BMP280.h>

Adafruit_BMP280 bmp;

void setup()
{
  Serial.begin(9600);
  bmp.begin();
}

void loop()
{
  float P;

  P = bmp.readPressure();
  Serial.println(P);
  delay(1000);
}
```