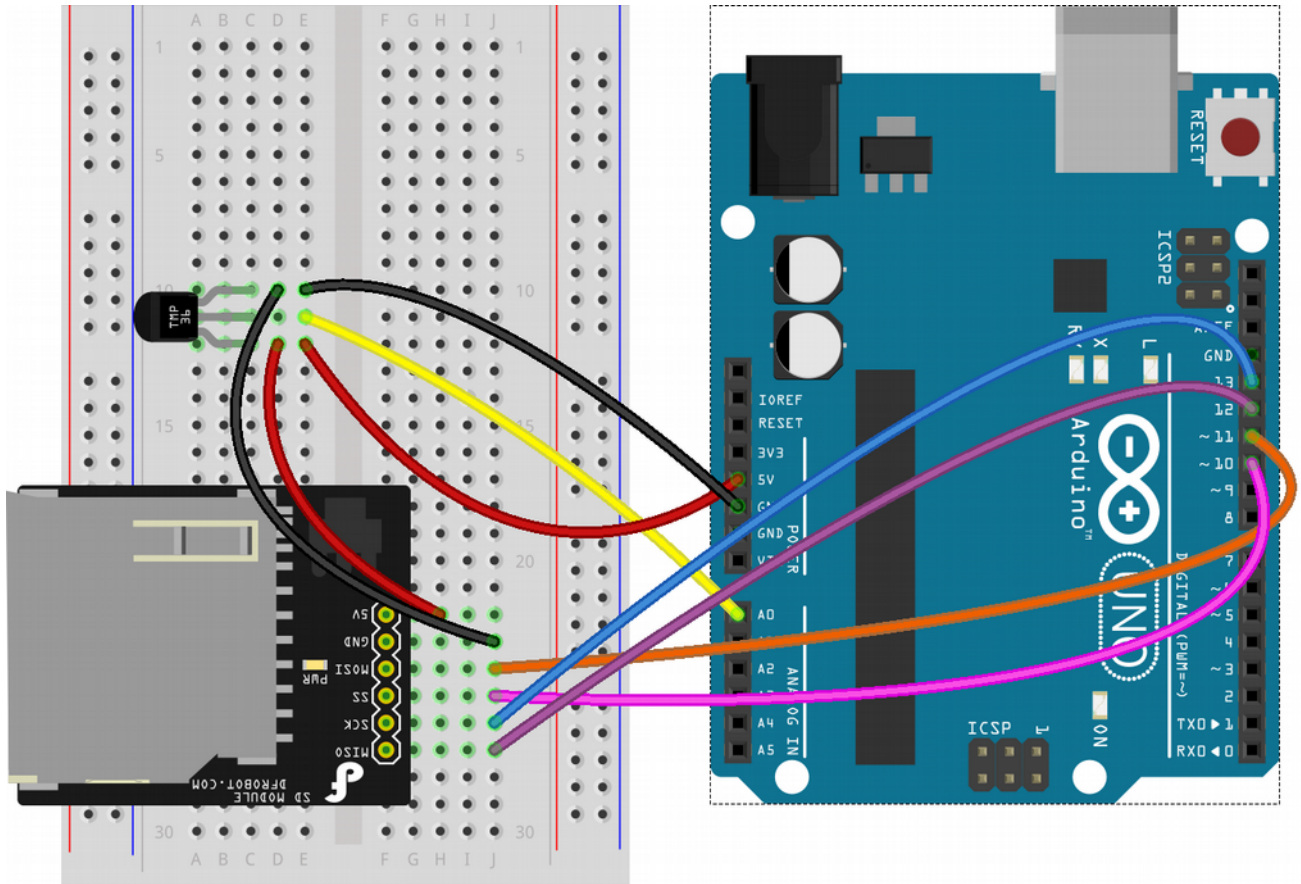


## PSC 103 - Spring 2018 - Arduino Weather Station Lab

### Temperature: Wiring with SD-Card



fritzing

### Temperature - Code

```
#include <SD.h>

void setup()
{
  Serial.begin(9600);
  pinMode(10, OUTPUT);
  SD.begin(10);
  SD.remove("data.csv");
}

void loop()
{
  float x, T;
  File out;
  unsigned long t;

  x = analogRead(A0) * 5000.0 / 1024;
  T = (x - 500.0) / 10.0;
```

```
T = T * 1.8 + 32.0;
```

```
Serial.println(T);  
delay(1000);
```

```
t = millis();  
out = SD.open("data.csv", FILE_WRITE);  
out.print(t);  
out.print(",");  
out.println(T);  
out.close();
```

```
}
```